

# PRODUCT INFORMATION PACKET



Model No: C4D17NK5E

Catalog No: 108045.00

1/4HP.1800RPM.NS56C.TENV.12V.CONT.40C.1.0SF.RIGID C.DC NEMA LOW VOLTAGE.C4D17NK5D  
Low Voltage



Regal and Leeson are trademarks of Regal Beloit Corporation or one of its affiliated companies.

©2018 Regal Beloit Corporation, All Rights Reserved. MC017097E





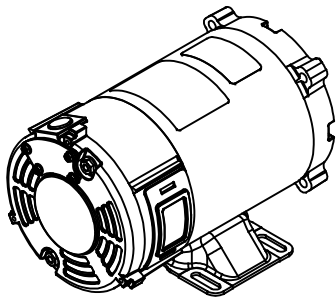
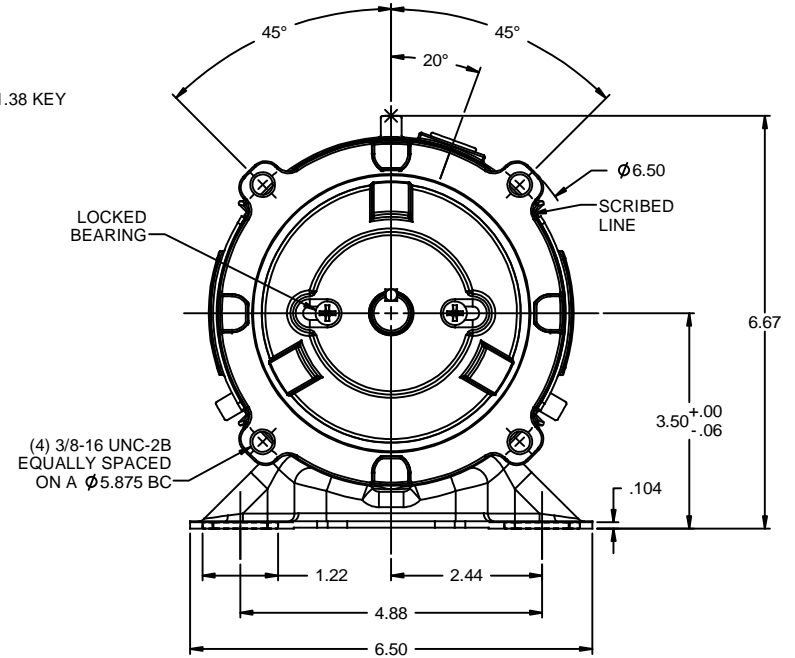
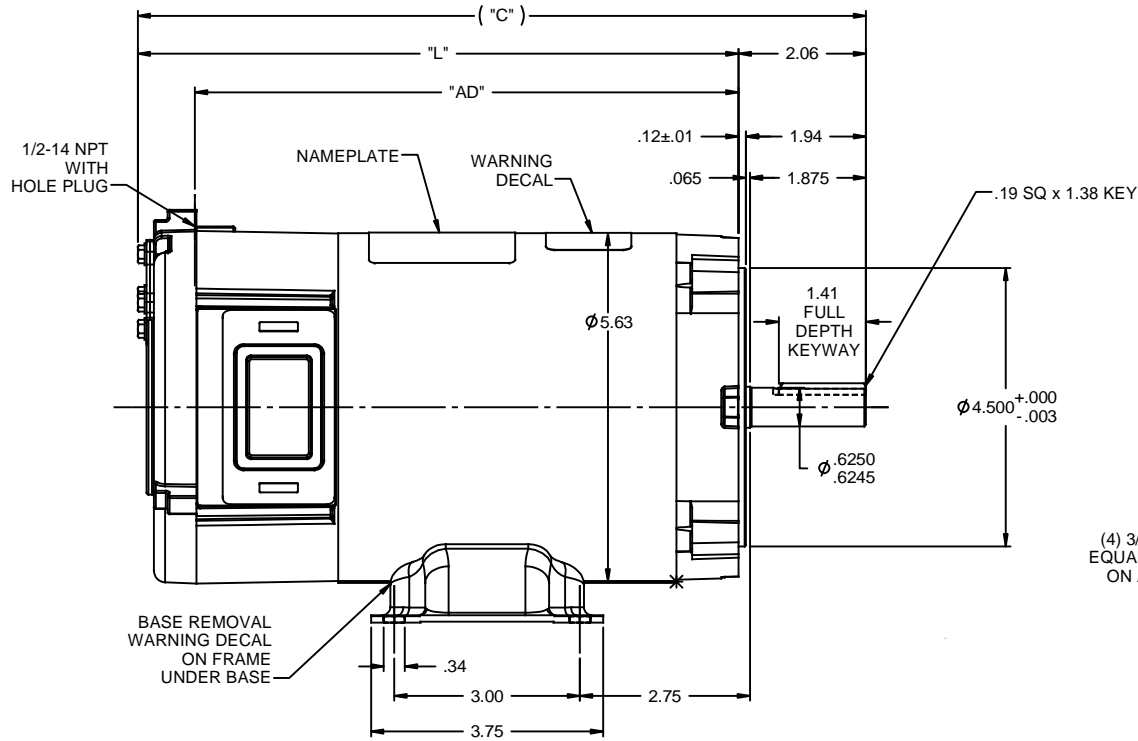
### Nameplate Specifications

Output HP	<b>0.25 Hp</b>	Output KW	<b>0.19 kW</b>
Voltage	<b>12 V</b>	Current	<b>21.0 A</b>
Speed	<b>1800 rpm</b>	Service Factor	<b>1</b>
Efficiency	<b>72.1 %</b>	Duty	<b>Continuous</b>
Insulation Class	<b>F</b>	Frame	<b>S56C</b>
Enclosure	<b>Totally Enclosed Non Ventilated</b>	Overload Protector	<b>No</b>
Ambient Temperature	<b>40 °C</b>	Drive End Bearing Size	<b>6203</b>
Opp Drive End Bearing Size	<b>6203</b>	UL	<b>Recognized</b>
CSA	<b>Y</b>	CE	<b>N</b>

### Technical Specifications

Rotation	<b>Reversible</b>	Mounting	<b>Rigid C base</b>
Overall Length	<b>10.27 in</b>	Frame Length	<b>3.97 in</b>
Shaft Diameter	<b>0.625 in</b>	Shaft Extension	<b>2.06 in</b>
Outline Drawing	<b>031880-108045</b>		

This is an uncontrolled document once printed or downloaded and is subject to change without notice. Date Created: 10/15/2018



- NOTES:  
 1) MAXIMUM FACE RUNOUT .004 T.I.R.  
 2) MAXIMUM PILOT ECCENTRICITY .004 T.I.R.  
 3) PERMISSIBLE SHAFT RUNOUT .002 T.I.R.  
 4) GASKETS THROUGHOUT

108051.00	11.77	9.71	8.78	24	1/2	1800
108050.00	10.77	8.71	7.78	24	1/3	1800
108047.00	11.77	9.71	8.78	12	1/2	1800
108046.00	10.77	8.71	7.78	12	1/3	1800
108045.00	10.27	8.21	7.28	12	1/4	1800
<b>CATALOG No.</b>	<b>"C"</b>	<b>"L"</b>	<b>"AD"</b>	<b>VOLTS</b>	<b>H.P.</b>	<b>RPM</b>

				TOLERANCES UNLESS SPECIFIED		LEESON ELECTRIC MOTORS GEARMOTORS AND DRIVES		DRAWN IPG 3/26/08	
				DEC	INCHES		CHK BC 3/26/08		
				x	±.1		APPR		
02	ADDED 108045.00 TO TABLE	IPG 5/13/2010	BC	xx	±.03		TITLE	SCALE 1:2	
01	ADDED 20 DEGREES FOR NPT HOLE LOCATION	IPG 12/11/2008	SK	xxx	±.005		48 FRAME DC	REF 031879.00	
	RELEASED: REF. 031879 & 031185	IPG 3/26/2008	BC	xxxx	±.0005		MATL	FMF 108050.75	
NO	REVISION	BY & DATE	CHK	ANG	±1/2"		FINISH	PAGE	OF
	THIRD ANGLE PROJECTION		RFP	PREV			SIZE	DRAWING NO	REV
				NETWORK FILE NAME	031880		<b>B</b>	<b>031880</b>	<b>02</b>